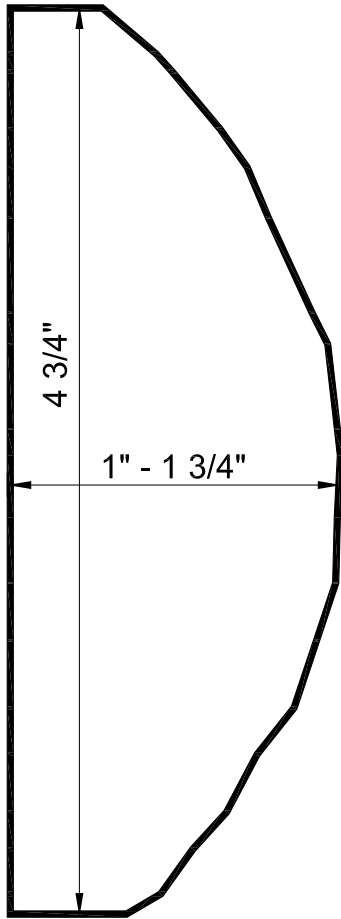




**2008 - 2009
Siding Catalog**

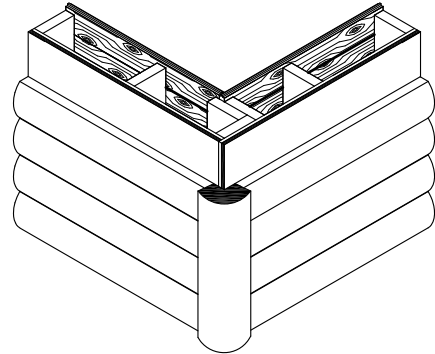
Exterior Corner Options

(Please check appropriate box)

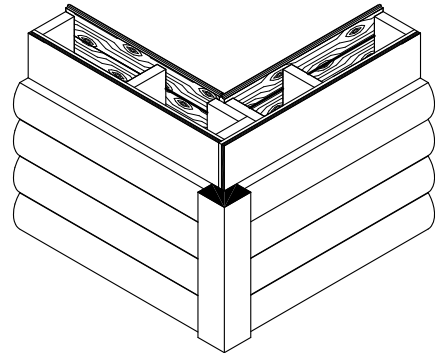


RUSTIC/HAND PEELED FACE

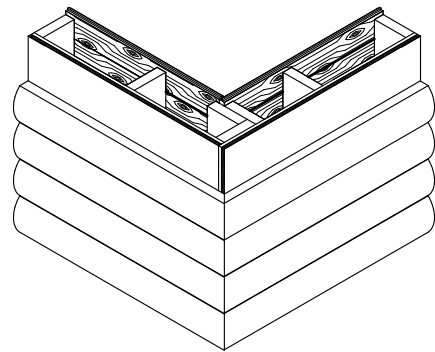
Vertical Log Corner (VLC)



Vertical Timber Corner (VTC)



Mitered Corner



Note: All dimensions are approximate.

Copyright © 2006 Rapid River Rustic, Inc.

DRAWN BY:

DATE: 10/30/07

REVISED:



Rapid River Rustic, Inc.

5" R/T LOG SIDING

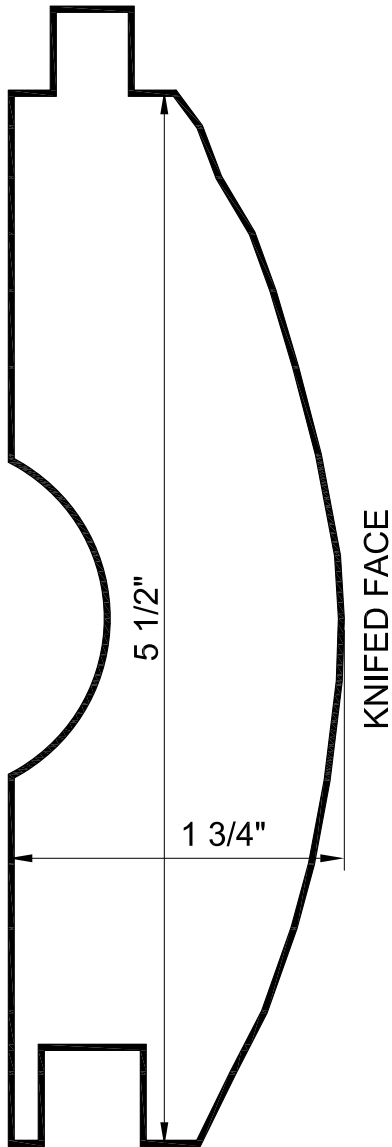


SCALE: FULL

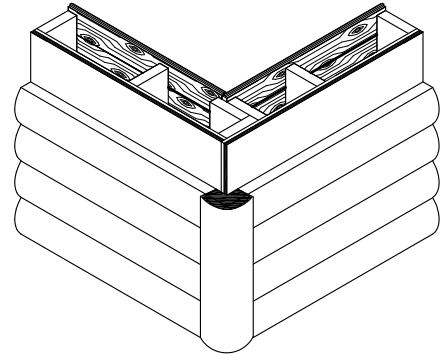
DETAIL NO:

Exterior Corner Options

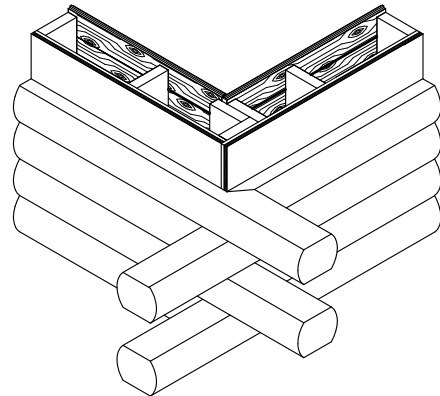
(Please check appropriate box)



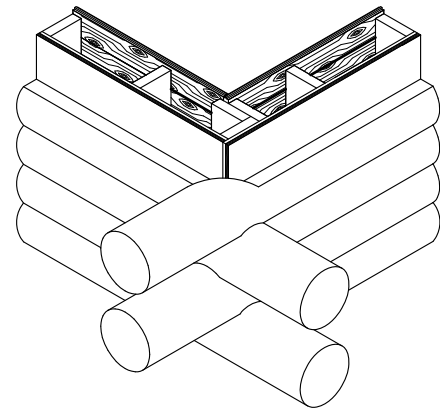
Vertical Log Corner (VLC)



Butt & Pass Corner



Full Round Corner



Note: All dimensions are approximate.

Copyright © 2006 Rapid River Rustic, Inc.

DRAWN BY:

DATE: 10/30/07

REVISED:



Rapid River Rustic, Inc.
6" K/T(TG) LOG SIDING

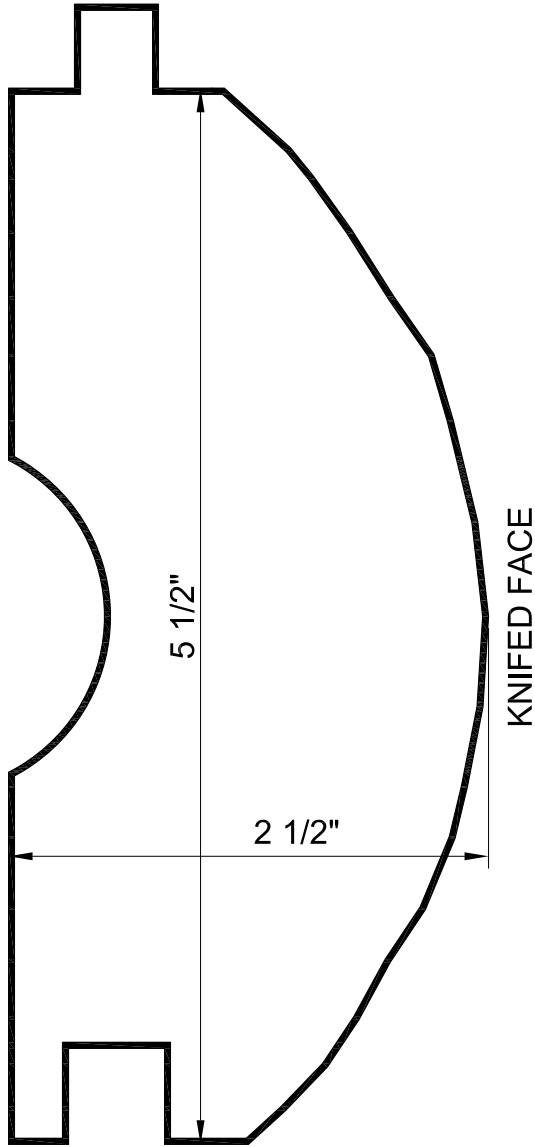


SCALE: FULL

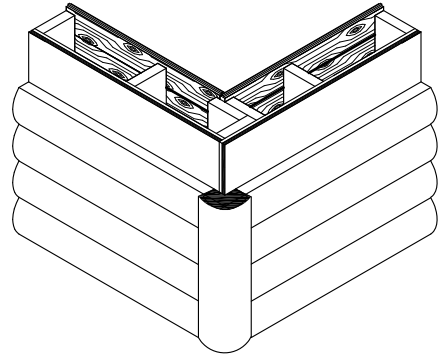
DETAIL NO:

Exterior Corner Options

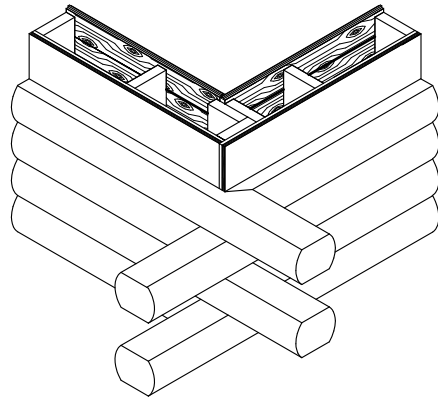
(Please check appropriate box)



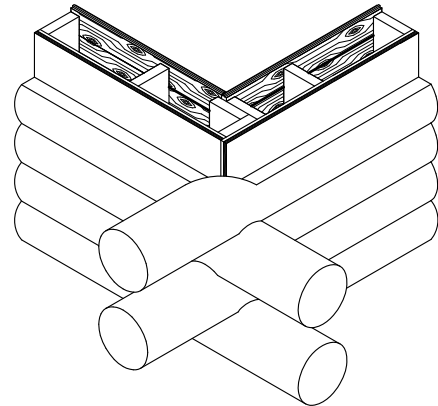
Vertical Log Corner (VLC)



Butt & Pass Corner



Full Round Corner



Note: All dimensions are approximate.

Copyright © 2006 Rapid River Rustic, Inc.

DRAWN BY:



DATE: 10/30/07

REVISED:

Rapid River Rustic, Inc.
6" K/S(TG) LOG SIDING



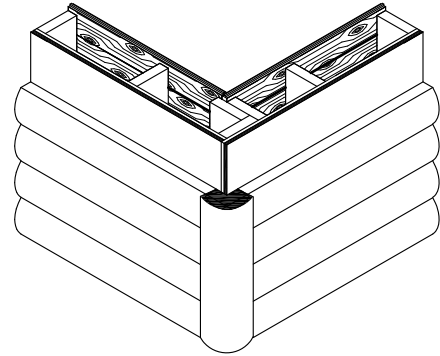
SCALE: **FULL**

DETAIL NO:

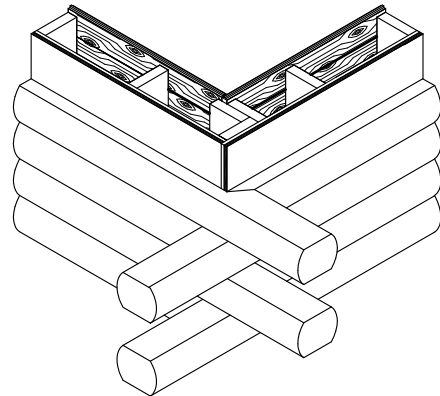
Exterior Corner Options

(Please check appropriate box)

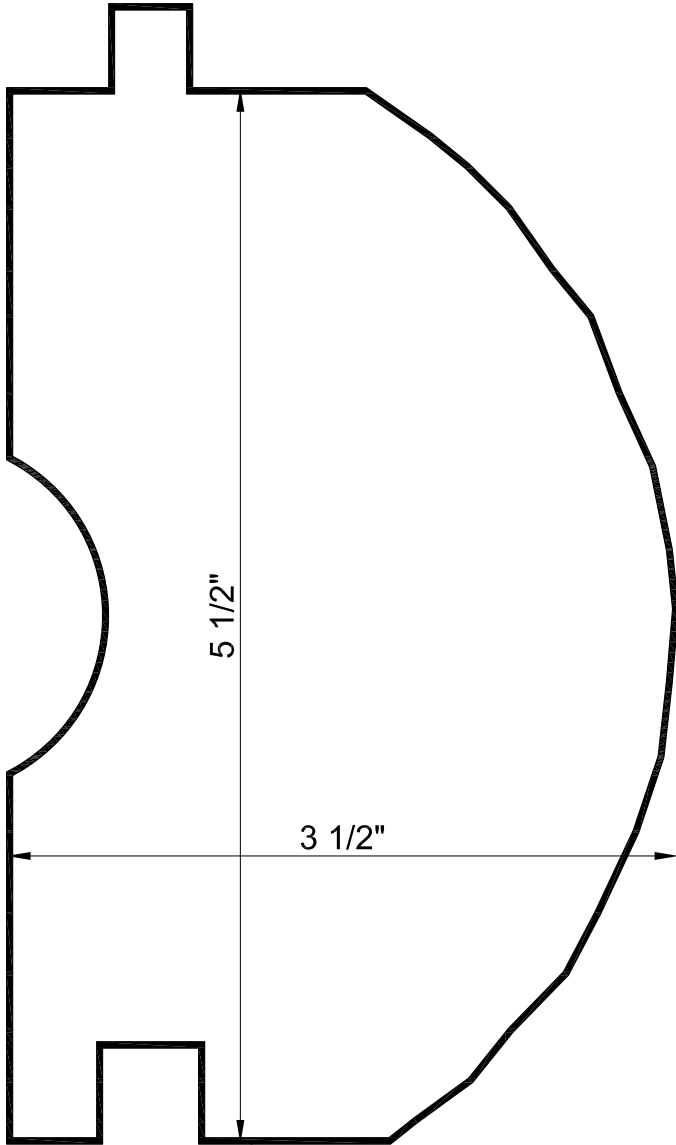
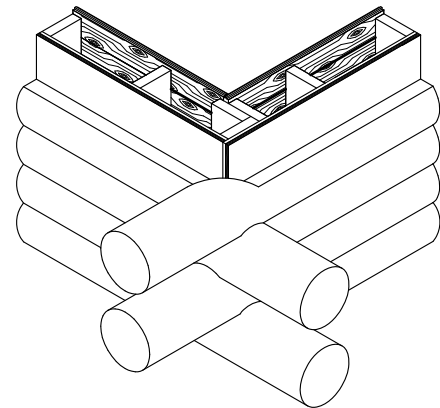
Vertical Log Corner (VLC)



Butt & Pass Corner



Full Round Corner



KNIFED FACE

Note: All dimensions are approximate.

Copyright © 2006 Rapid River Rustic, Inc.

Rapid River Rustic, Inc.
6" K/R(TG) LOG SIDING



DRAWN BY:

DATE: 10/30/07

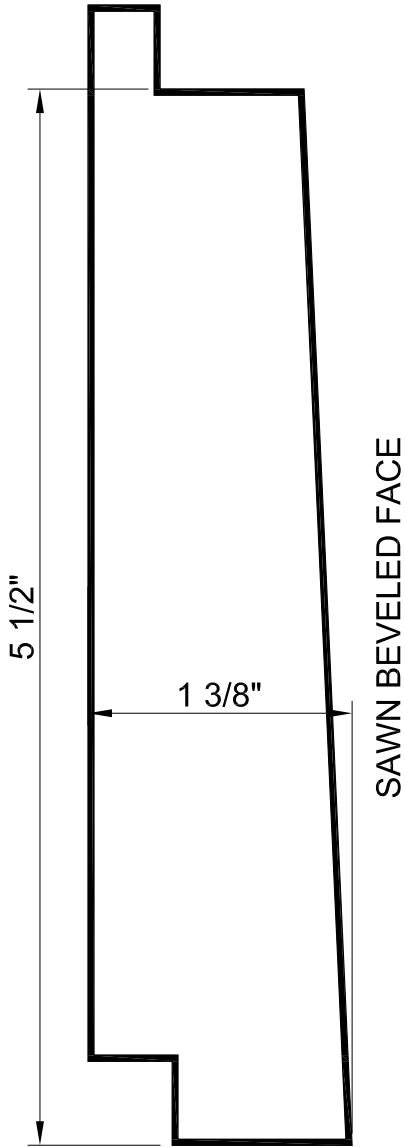
REVISED:

SCALE: FULL

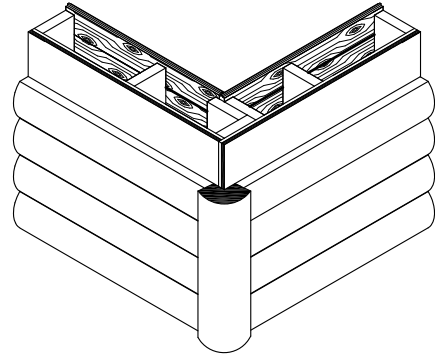
DETAIL NO:

Exterior Corner Options

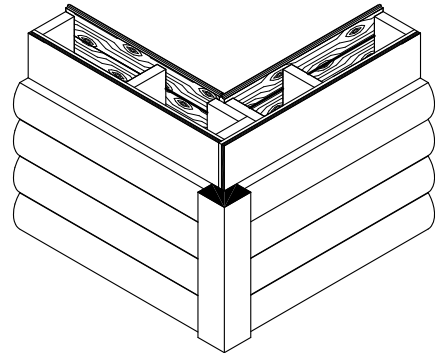
(Please check appropriate box)



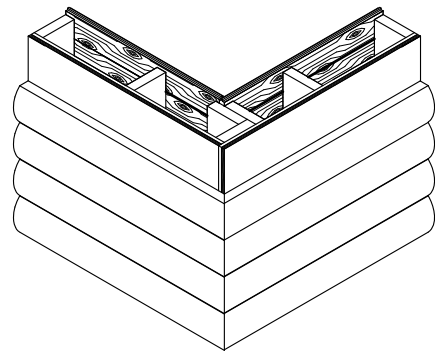
Vertical Log Corner (VLC)



Vertical Timber Corner (VTC)



Mitered Corner



Note: All dimensions are approximate.

Copyright © 2006 Rapid River Rustic, Inc.

DRAWN BY:

DATE: 10/30/07

REVISED:



Rapid River Rustic, Inc.

6" C/T(SL) LOG SIDING

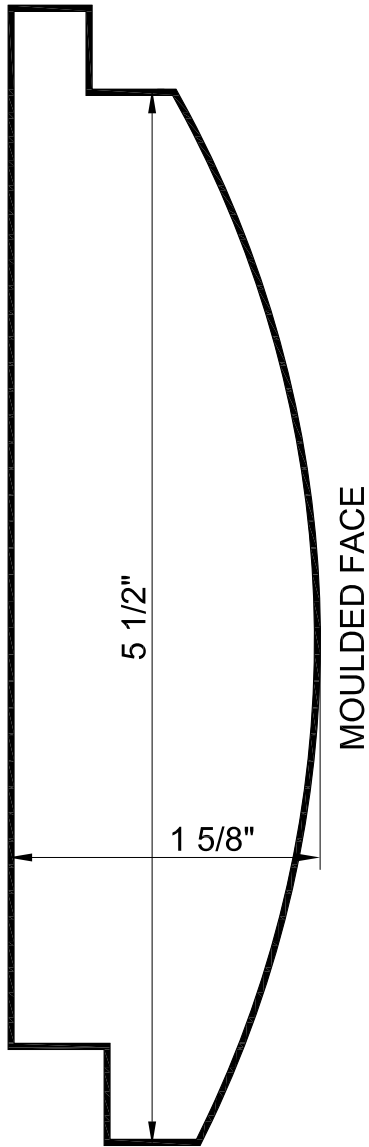


SCALE: FULL

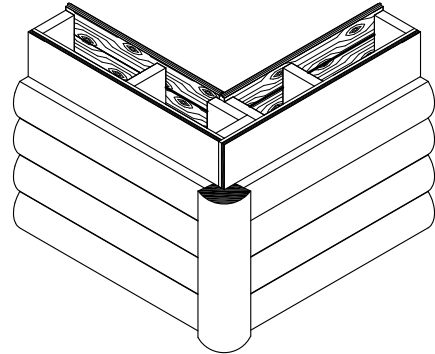
DETAIL NO:

Exterior Corner Options

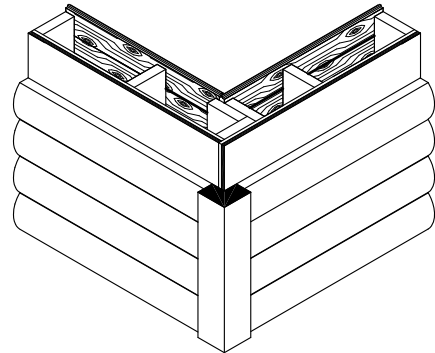
(Please check appropriate box)



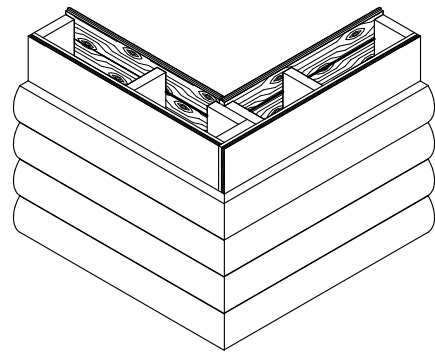
Vertical Log Corner (VLC)



Vertical Timber Corner (VTC)



Mitered Corner



Note: All dimensions are approximate.

Copyright © 2006 Rapid River Rustic, Inc.

DRAWN BY:

DATE: 10/30/07

REVISED:



Rapid River Rustic, Inc.
6" M/T(SL) LOG SIDING

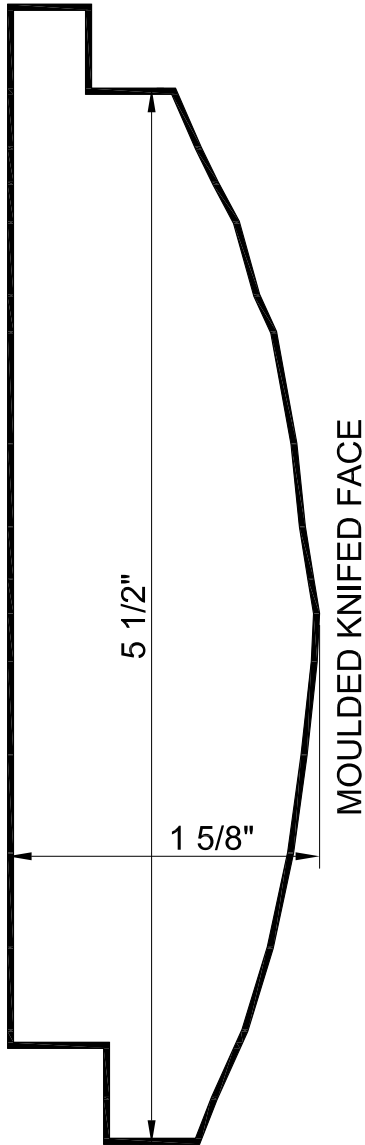


SCALE: FULL

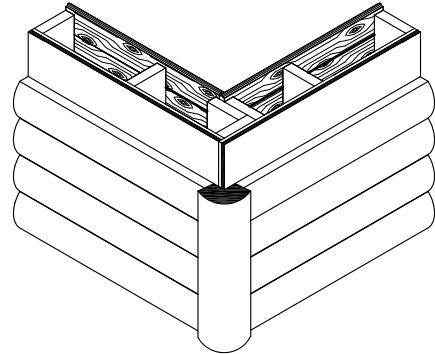
DETAIL NO:

Exterior Corner Options

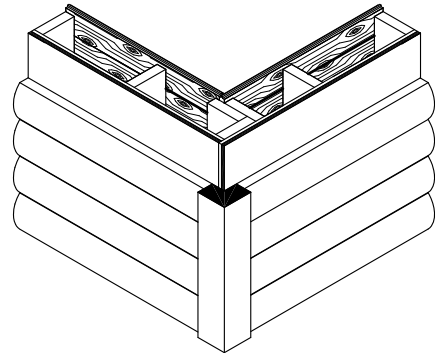
(Please check appropriate box)



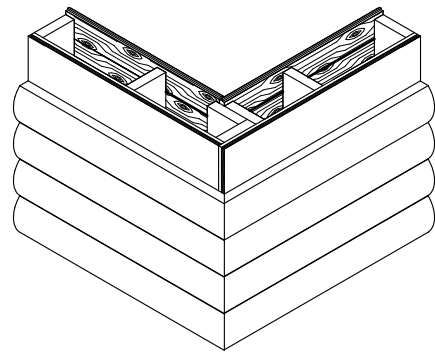
Vertical Log Corner (VLC)



Vertical Timber Corner (VTC)



Mitered Corner



Note: All dimensions are approximate.

Copyright © 2006 Rapid River Rustic, Inc.

DRAWN BY:

DATE: 10/30/07

REVISED:



Rapid River Rustic, Inc.

6" MK/T(SL) LOG SIDING

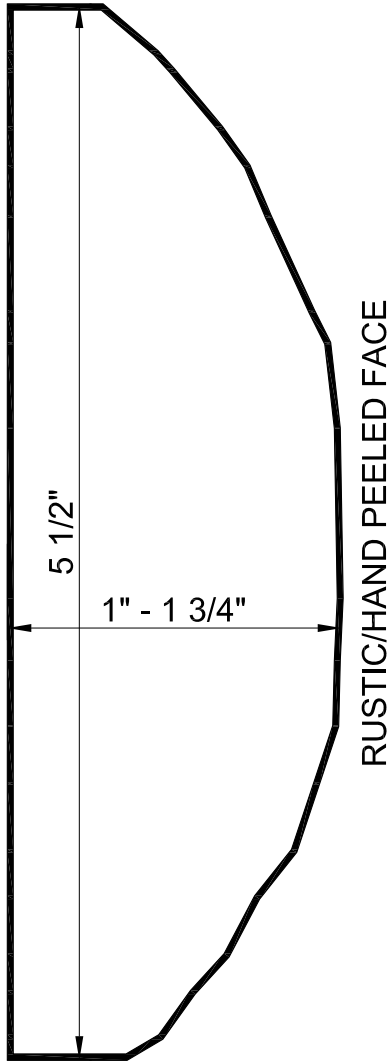


SCALE: FULL

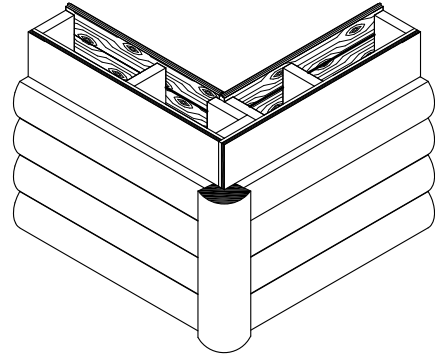
DETAIL NO:

Exterior Corner Options

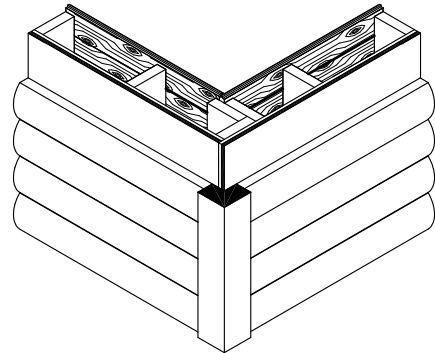
(Please check appropriate box)



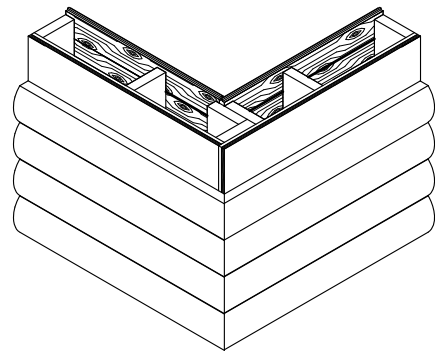
Vertical Log Corner (VLC)



Vertical Timber Corner (VTC)



Mitered Corner



Note: All dimensions are approximate.

Copyright © 2006 Rapid River Rustic, Inc.

DRAWN BY:

DATE: 10/30/07

REVISED:



Rapid River Rustic, Inc.

6" R/T LOG SIDING



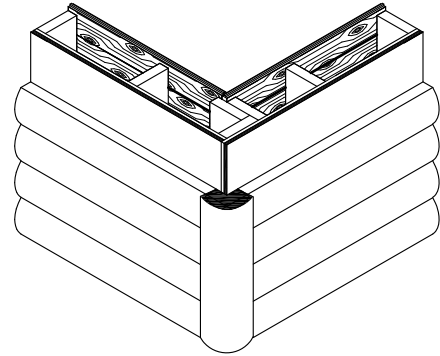
SCALE: FULL

DETAIL NO:

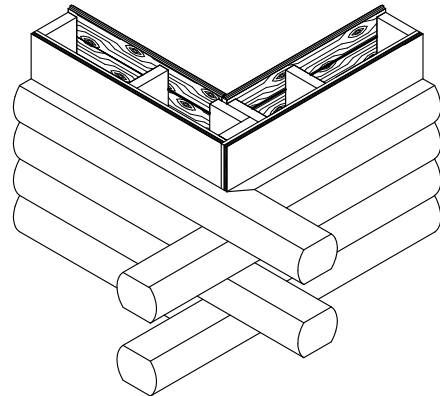
Exterior Corner Options

(Please check appropriate box)

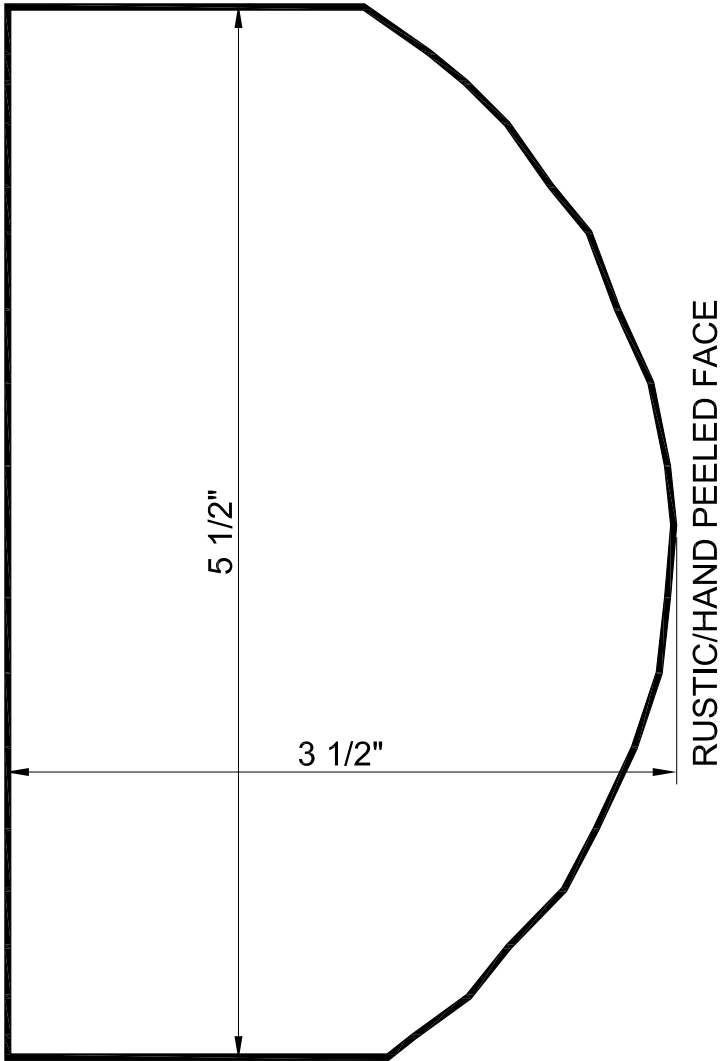
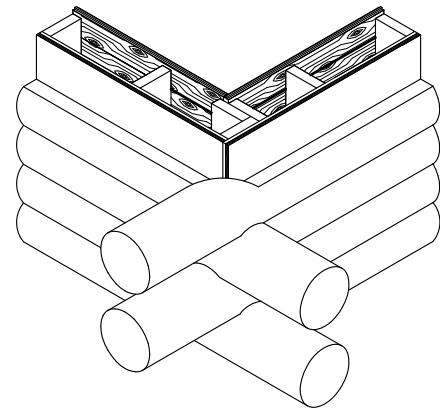
Vertical Log Corner (VLC)



Butt & Pass Corner



Full Round Corner



Note: All dimensions are approximate.

Copyright © 2006 Rapid River Rustic, Inc.

Rapid River Rustic, Inc.

6" R/R LOG SIDING

DRAWN BY:



DATE: 10/30/07

REVISED:

SCALE: FULL

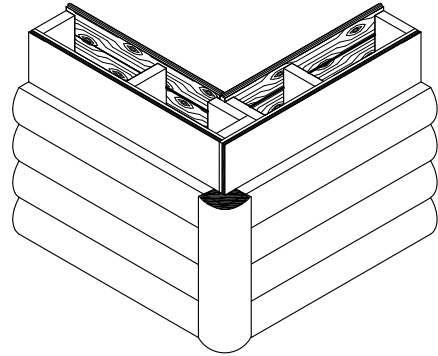
DETAIL NO:



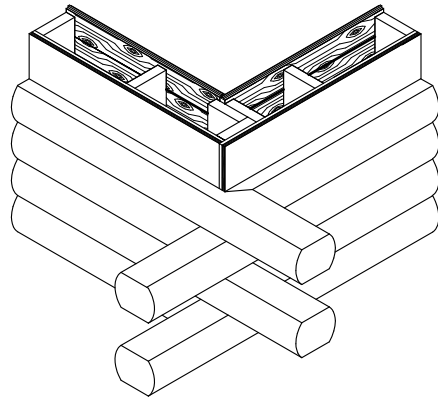
Exterior Corner Options

(Please check appropriate box)

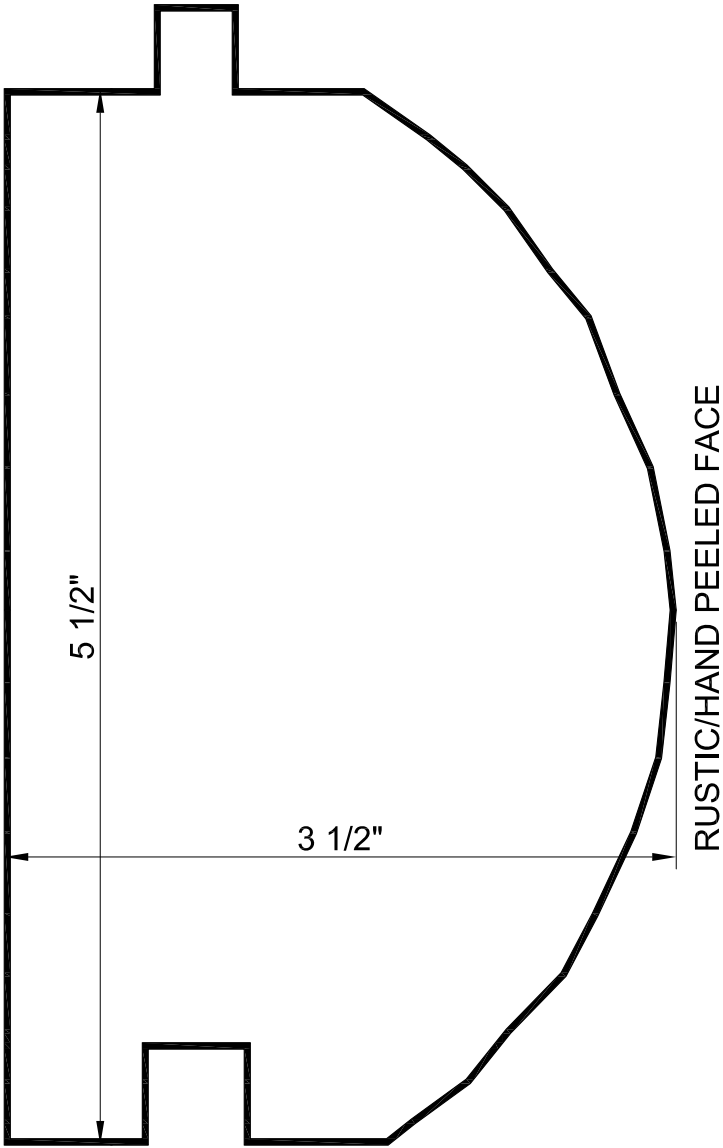
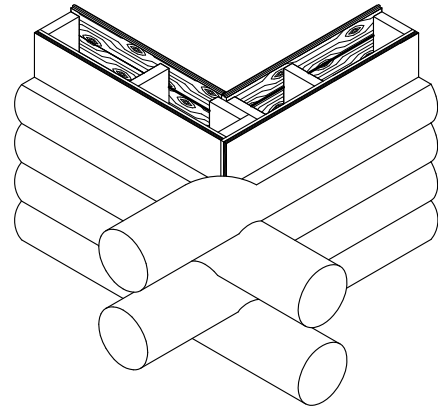
Vertical Log Corner (VLC)



Butt & Pass Corner



Full Round Corner



Note: All dimensions are approximate.

Copyright © 2006 Rapid River Rustic, Inc.

DRAWN BY:

DATE: 10/30/07

REVISED:



Rapid River Rustic, Inc.
6" R/R(TG) LOG SIDING

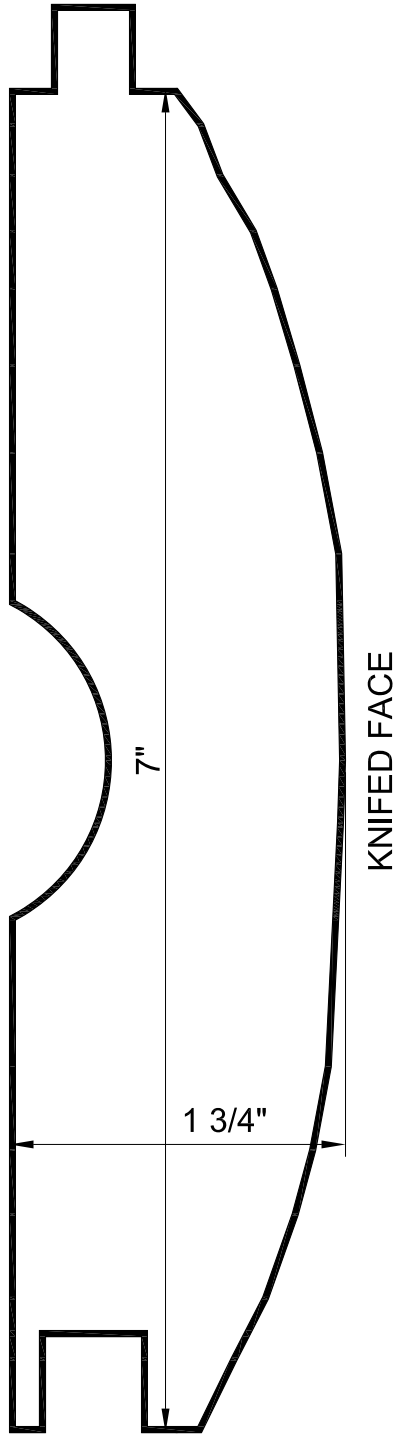


SCALE: FULL

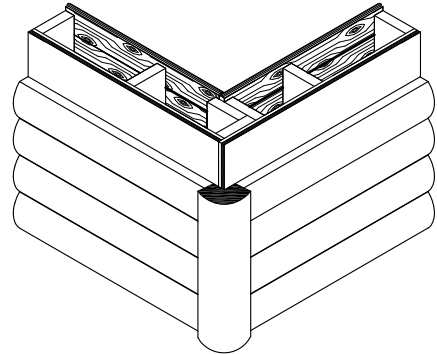
DETAIL NO:

Exterior Corner Options

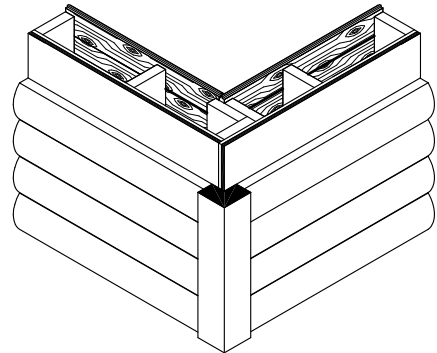
(Please check appropriate box)



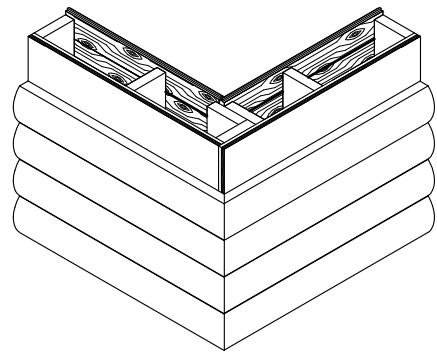
Vertical Log Corner (VLC)



Vertical Timber Corner (VTC)



Mitered Corner



Note: All dimensions are approximate.

Copyright © 2006 Rapid River Rustic, Inc.

DRAWN BY:

DATE: 10/30/07

REVISED:



Rapid River Rustic, Inc.
8" K/T(TG) LOG SIDING

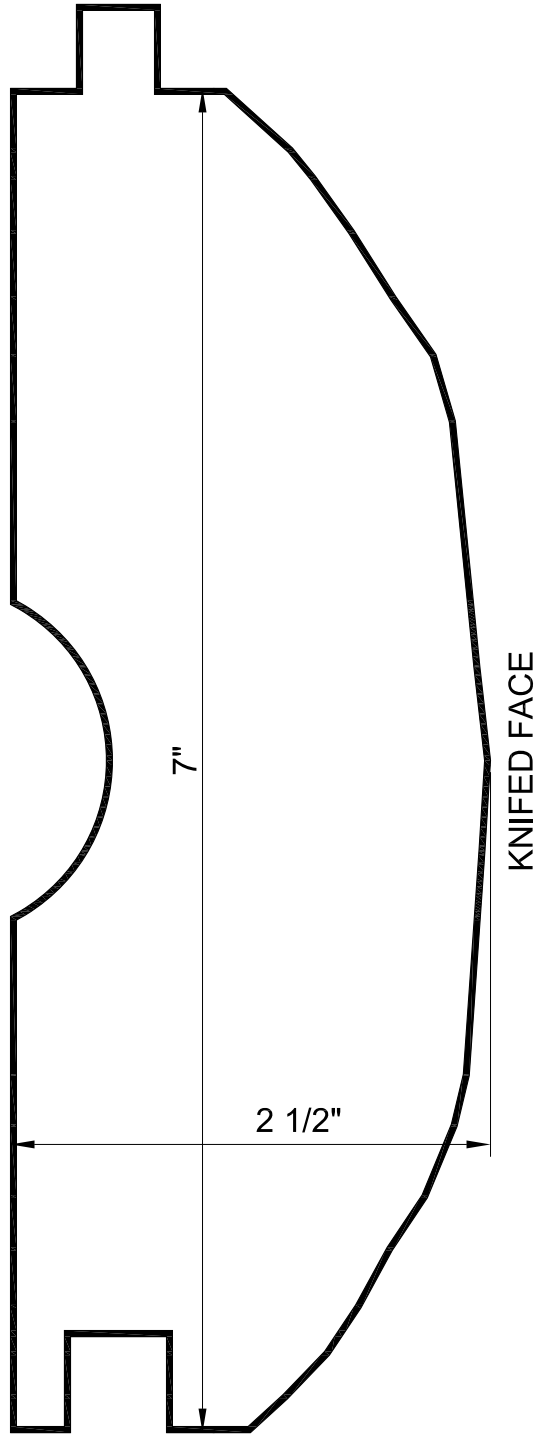


SCALE: FULL

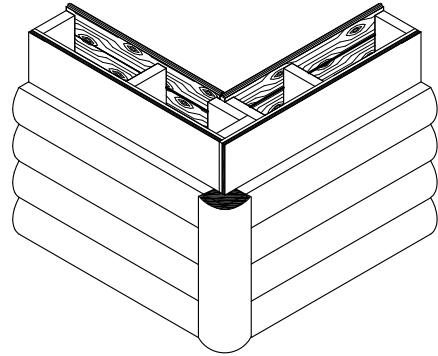
DETAIL NO:

Exterior Corner Options

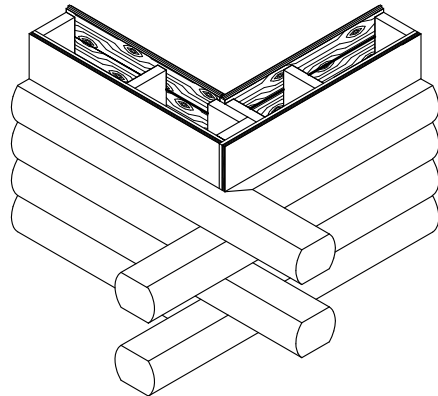
(Please check appropriate box)



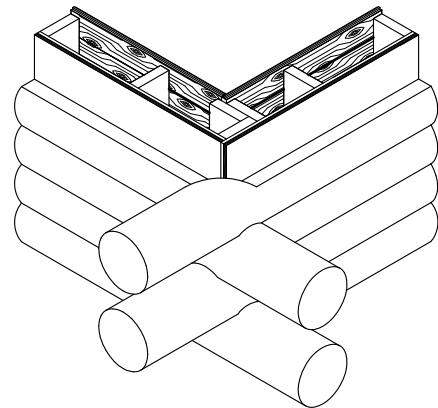
Vertical Log Corner (VLC)



Butt & Pass Corner



Full Round Corner



Note: All dimensions are approximate.

Copyright © 2006 Rapid River Rustic, Inc.

DRAWN BY:



DATE: 10/30/07

REVISED:

Rapid River Rustic, Inc.
8" K/S(TG) LOG SIDING



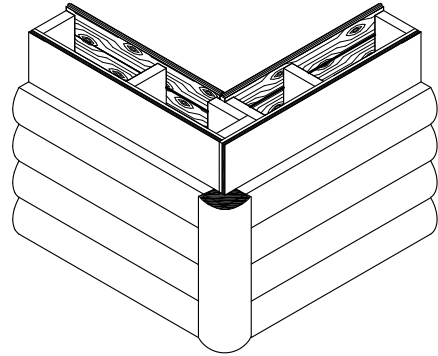
SCALE: FULL

DETAIL NO:

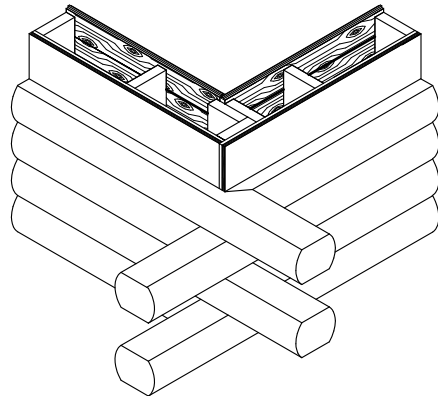
Exterior Corner Options

(Please check appropriate box)

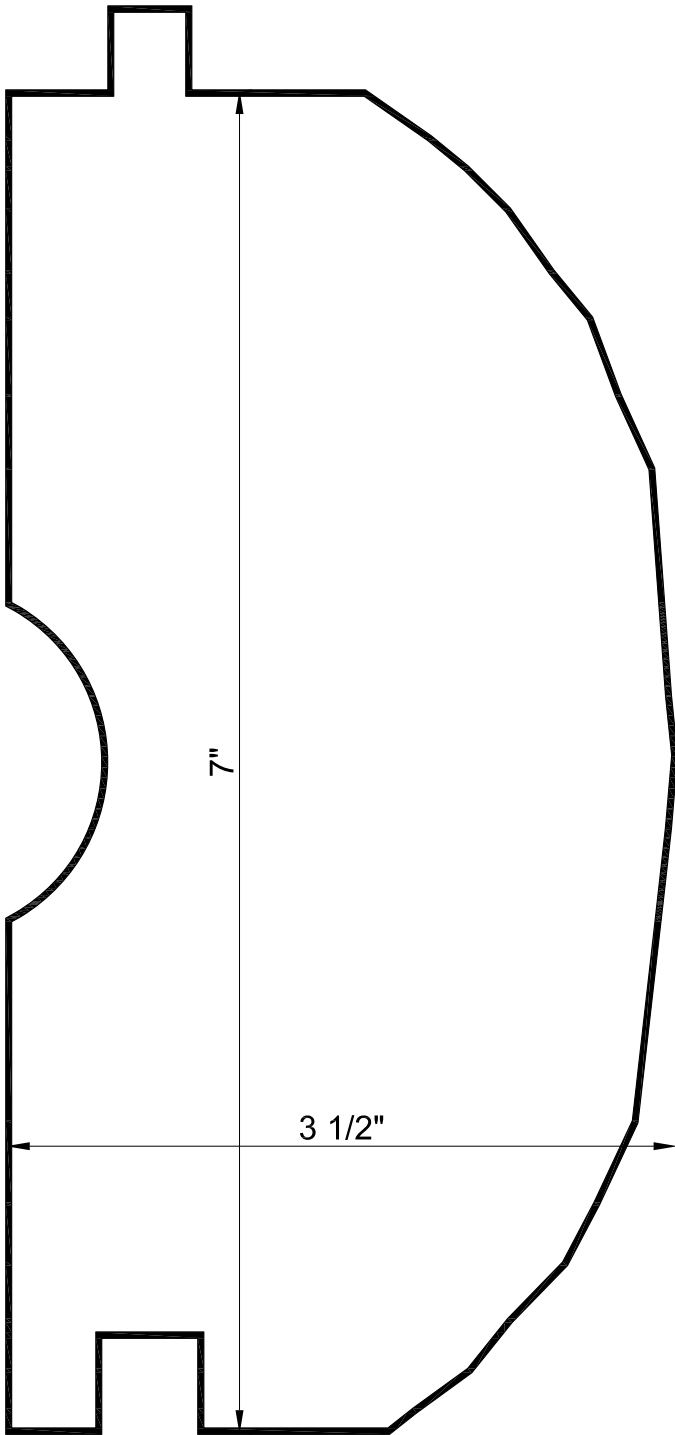
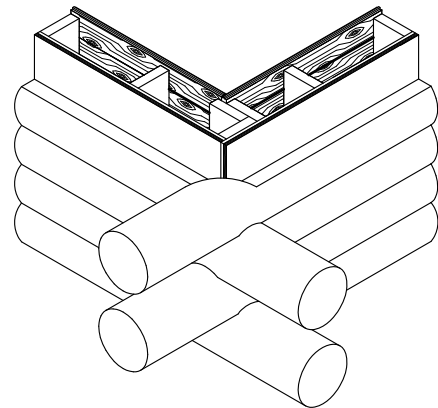
Vertical Log Corner (VLC)



Butt & Pass Corner



Full Round Corner



KNIFED FACE

Note: All dimensions are approximate.

Copyright © 2006 Rapid River Rustic, Inc.

DRAWN BY:

DATE: 10/30/07

REVISED:



Rapid River Rustic, Inc.
8" K/R(TG) LOG SIDING

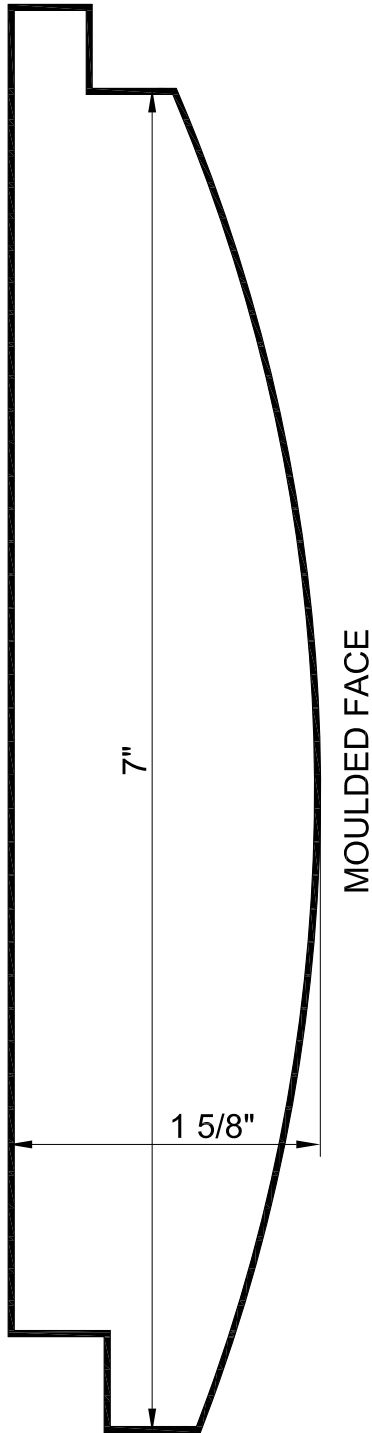


SCALE: FULL

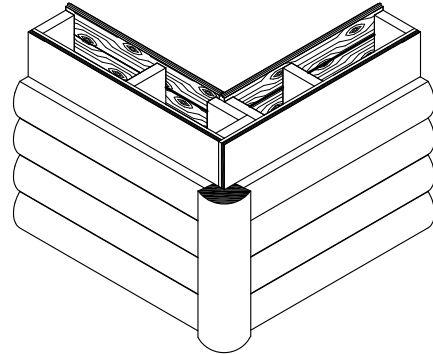
DETAIL NO:

Exterior Corner Options

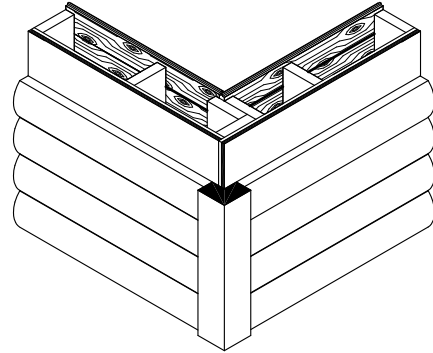
(Please check appropriate box)



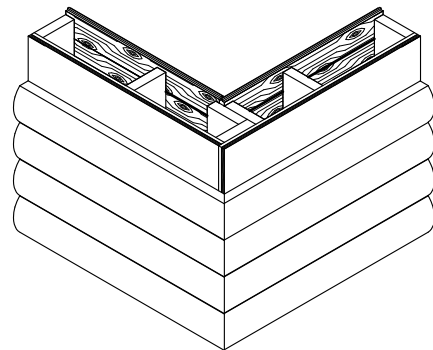
Vertical Log Corner (VLC)



Vertical Timber Corner (VTC)



Mitered Corner



Note: All dimensions are approximate.

Copyright © 2006 Rapid River Rustic, Inc.

DRAWN BY:

DATE: 10/30/07

REVISED:



Rapid River Rustic, Inc.
8" M/T(SL) LOG SIDING

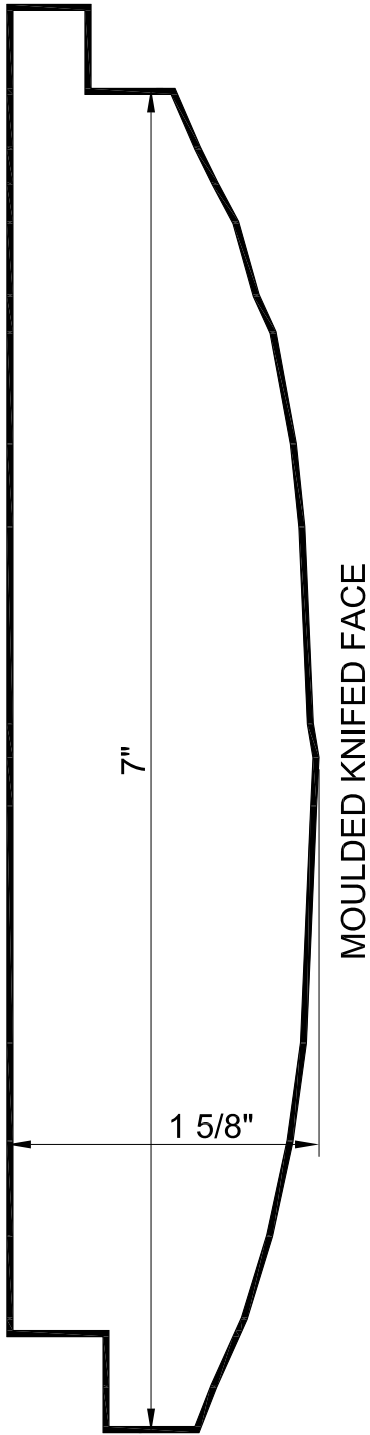


SCALE: FULL

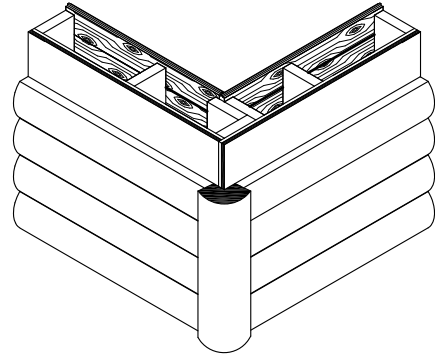
DETAIL NO:

Exterior Corner Options

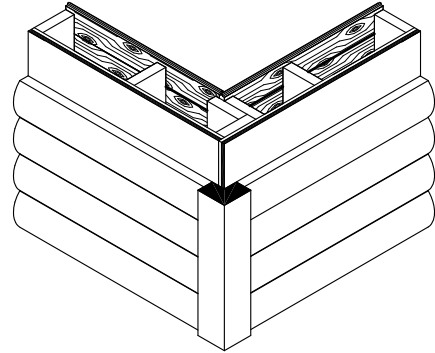
(Please check appropriate box)



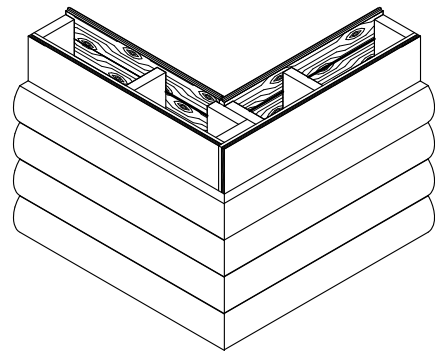
Vertical Log Corner (VLC)



Vertical Timber Corner (VTC)



Mitered Corner



Note: All dimensions are approximate.

Copyright © 2006 Rapid River Rustic, Inc.

DRAWN BY:

DATE: 10/30/07

REVISED:



Rapid River Rustic, Inc.

8" MK/T(SL) LOG SIDING

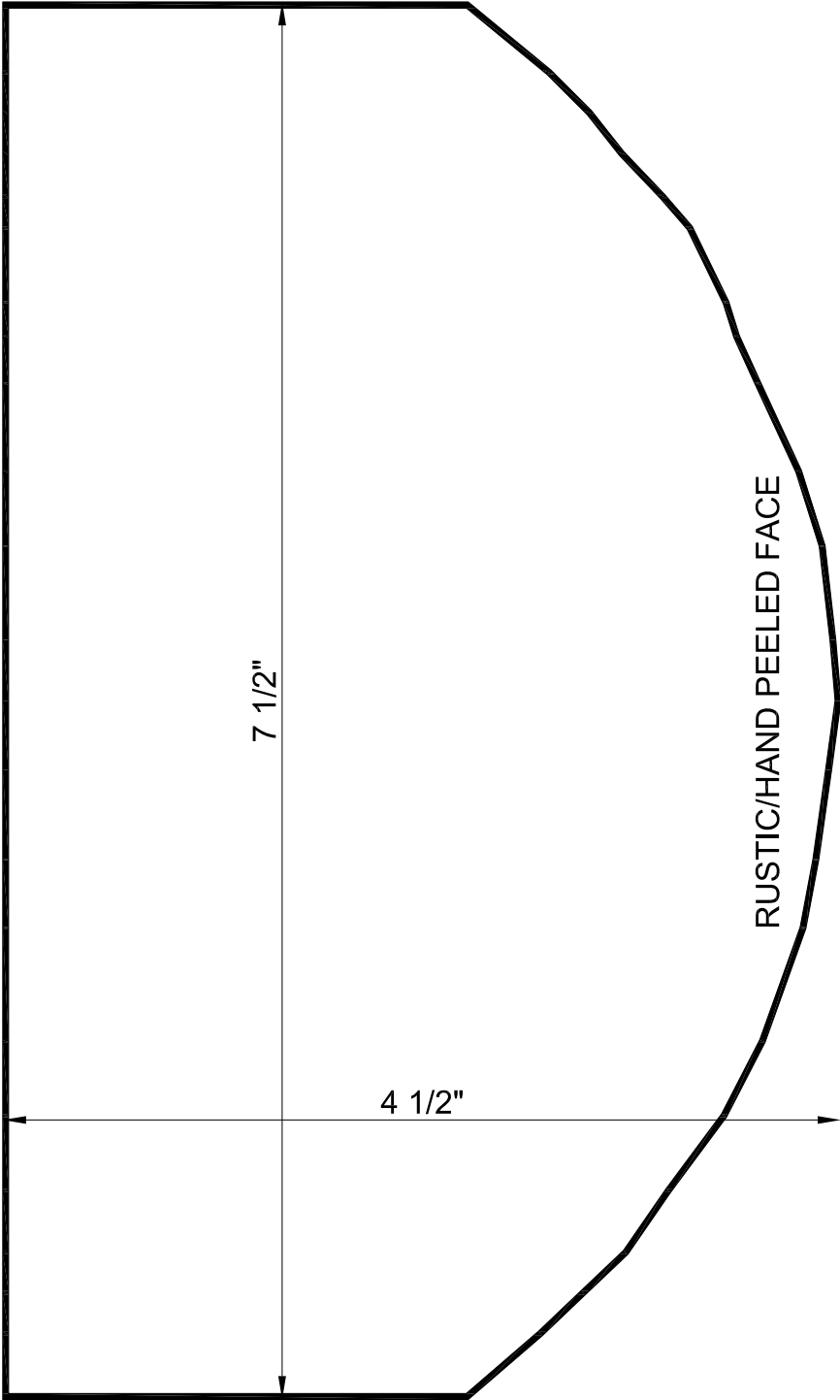


SCALE: FULL

DETAIL NO:

Exterior Corner Options

(Please check appropriate box)



Vertical Log Corner (VLC)

Butt & Pass Corner

Full Round Corner

Note: All dimensions are approximate.

Copyright © 2006 Rapid River Rustic, Inc.

Rapid River Rustic, Inc.

8" R/Q LOG SIDING

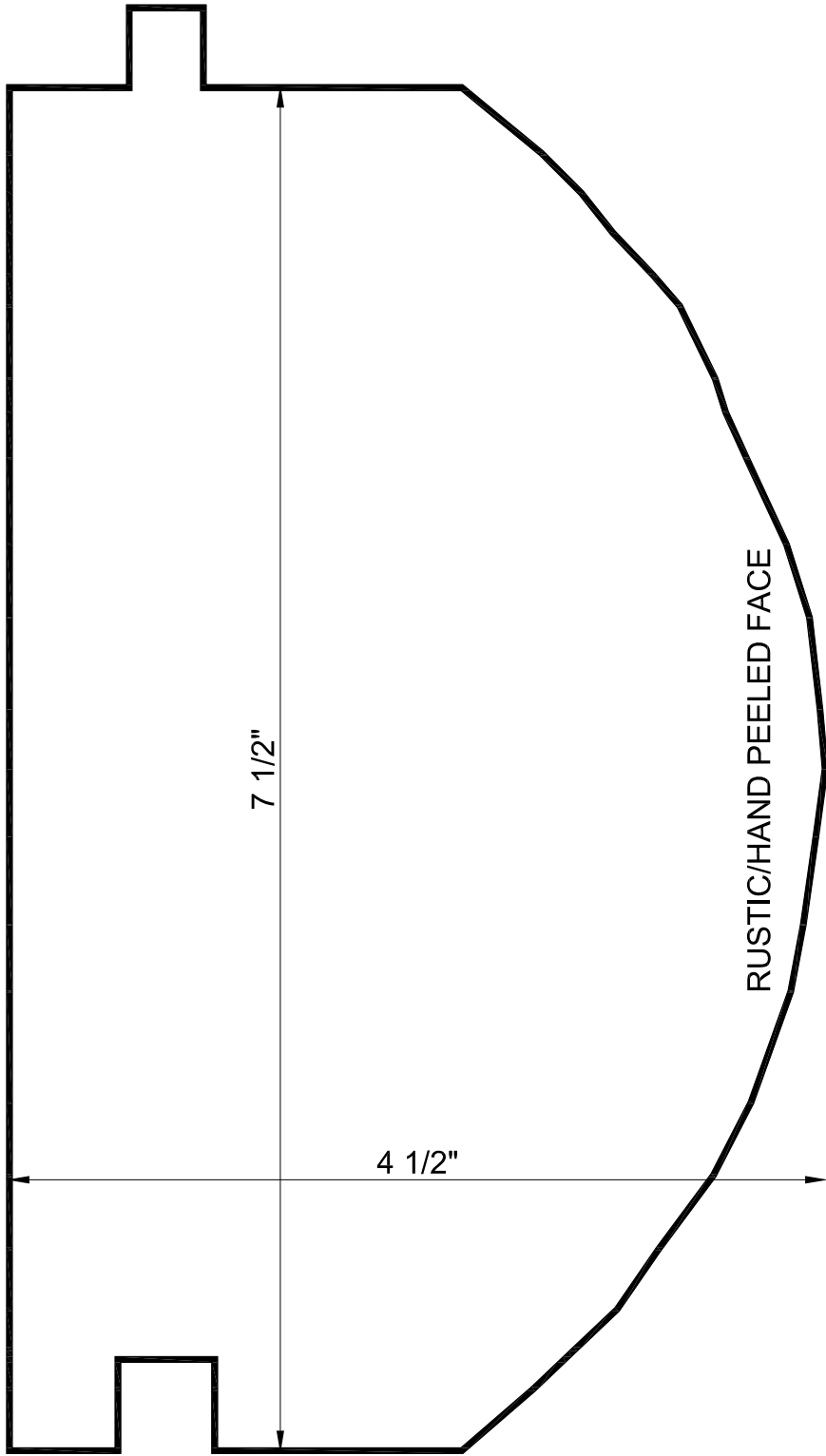


DRAWN BY:
DATE: 10/30/07
REVISED:

SCALE: FULL
DETAIL NO:

Exterior Corner Options

(Please check appropriate box)



Vertical Log Corner (VLC)

Butt & Pass Corner

Full Round Corner

Note: All dimensions are approximate.

Copyright © 2006 Rapid River Rustic, Inc.

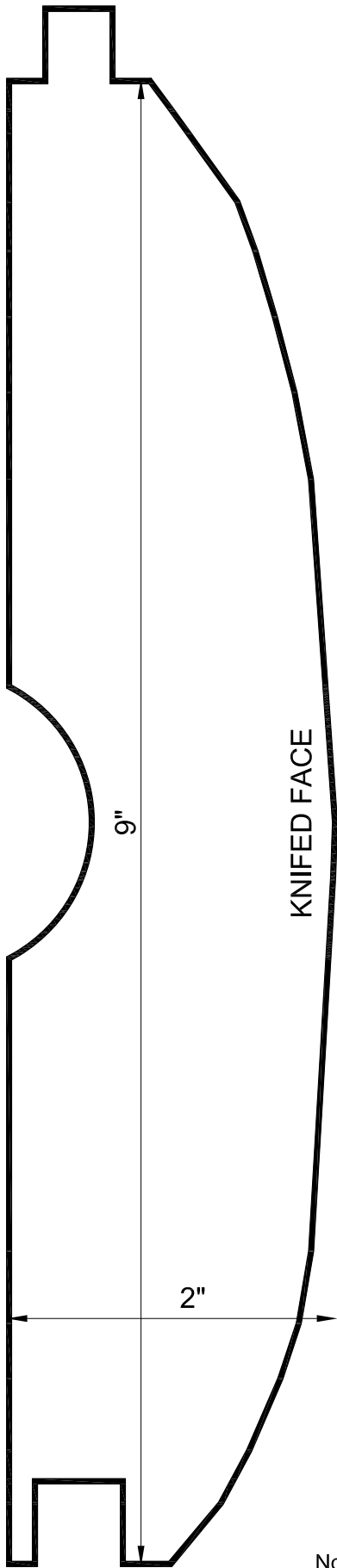
DRAWN BY:
DATE: 10/30/07
REVISED:



Rapid River Rustic, Inc.
8" R/Q(TG) LOG SIDING



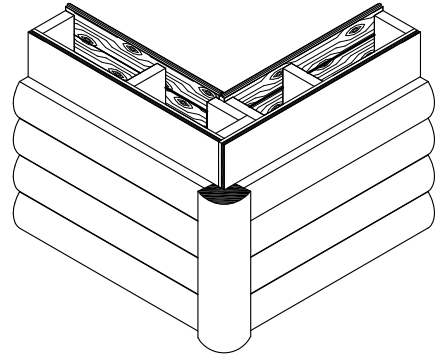
SCALE: FULL
DETAIL NO:



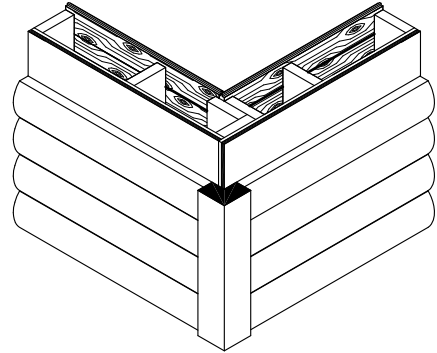
Exterior Corner Options

(Please check appropriate box)

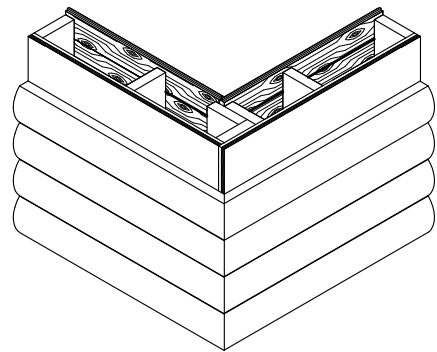
Vertical Log Corner (VLC)



Vertical Timber Corner (VTC)



Mitered Corner



Note: All dimensions are approximate.

Copyright © 2006 Rapid River Rustic, Inc.

DRAWN BY:

DATE: 10/30/07

REVISED:



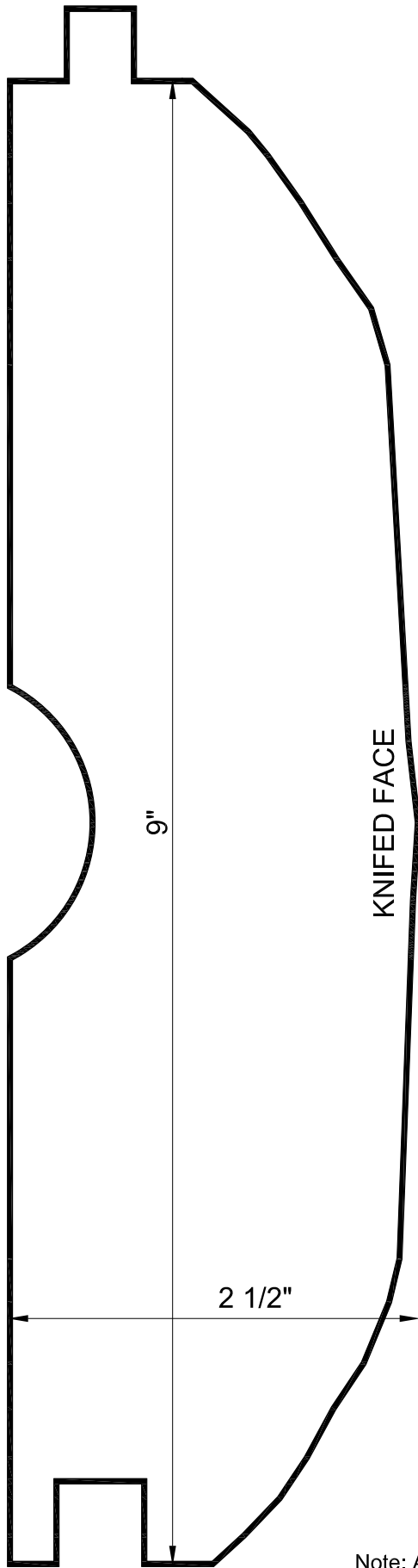
Rapid River Rustic, Inc.

10" K/T(TG) LOG SIDING



SCALE: FULL

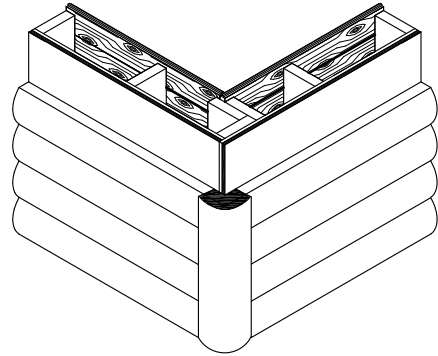
DETAIL NO:



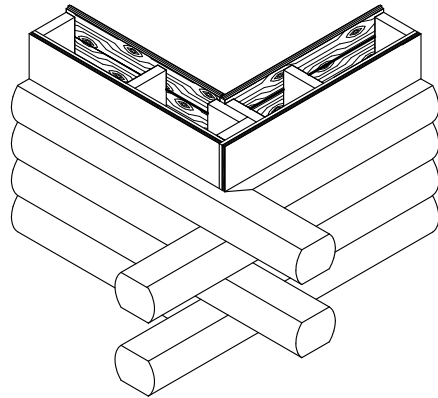
Exterior Corner Options

(Please check appropriate box)

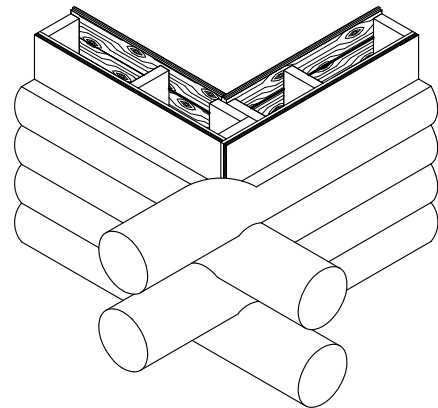
Vertical Log Corner (VLC)



Butt & Pass Corner



Full Round Corner



Note: All dimensions are approximate.

Copyright © 2006 Rapid River Rustic, Inc.

DRAWN BY:

DATE: 10/30/07

REVISED:

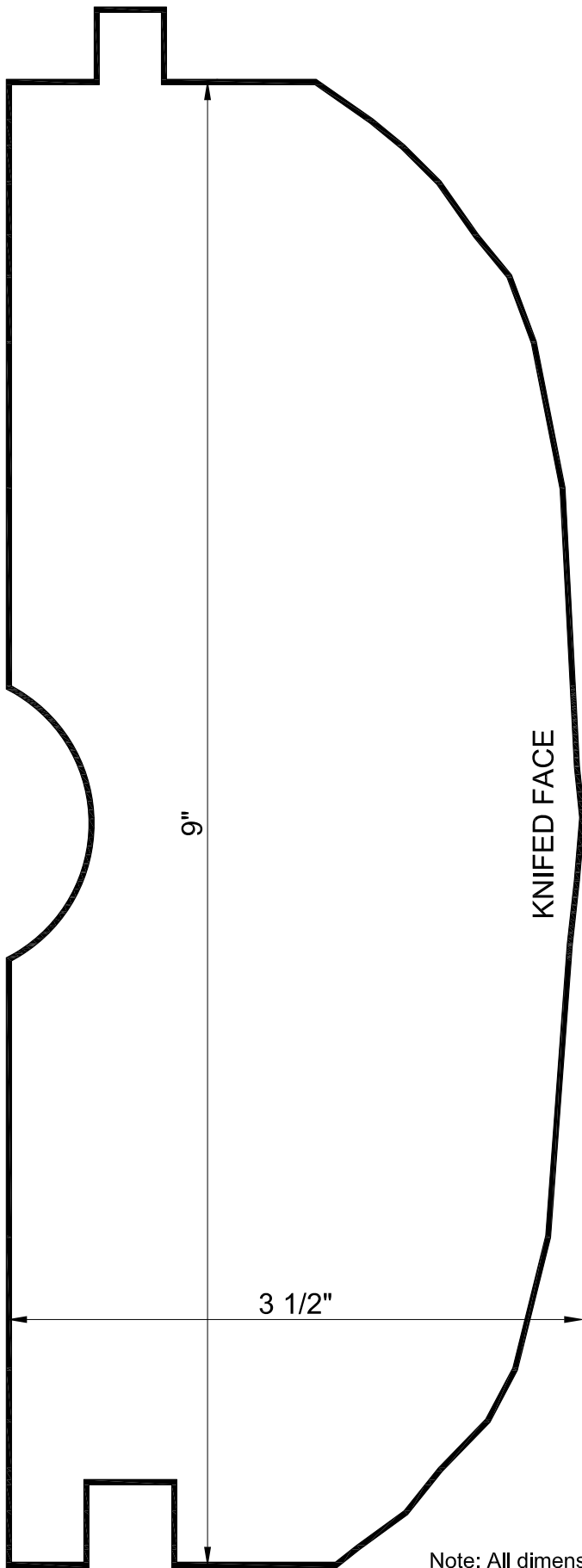


Rapid River Rustic, Inc.
10" K/S(TG) LOG SIDING



SCALE: FULL

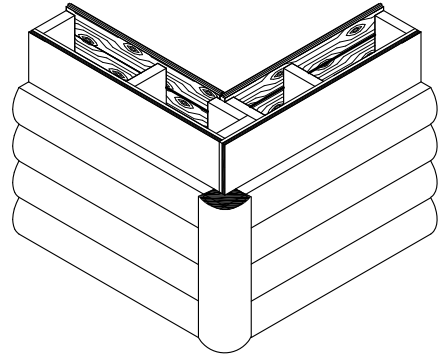
DETAIL NO:



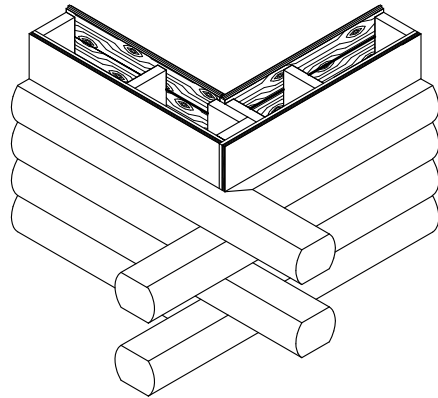
Exterior Corner Options

(Please check appropriate box)

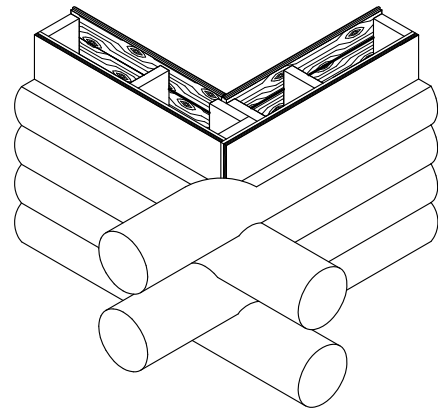
Vertical Log Corner (VLC)



Butt & Pass Corner



Full Round Corner



Note: All dimensions are approximate.

Copyright © 2006 Rapid River Rustic, Inc.

DRAWN BY:

DATE: 10/30/07

REVISED:



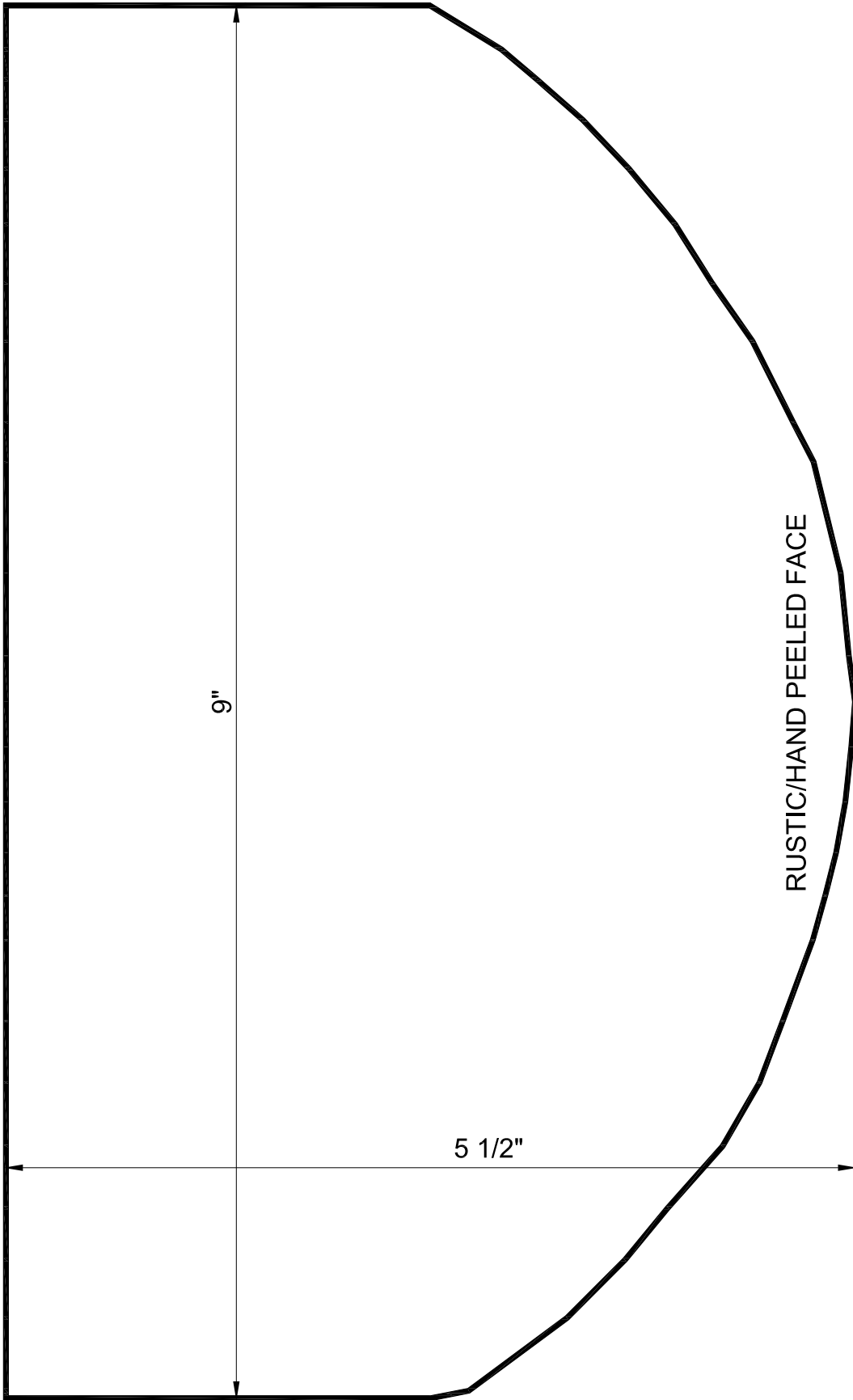
Rapid River Rustic, Inc.

10" K/RTG LOG SIDING



SCALE: FULL

DETAIL NO:



Exterior Corner Options
(Please check appropriate box)

Vertical Log Corner (VLC)

Butt & Pass Corner

Full Round Corner

Note: All dimensions are approximate.

Copyright © 2006 Rapid River Rustic, Inc.

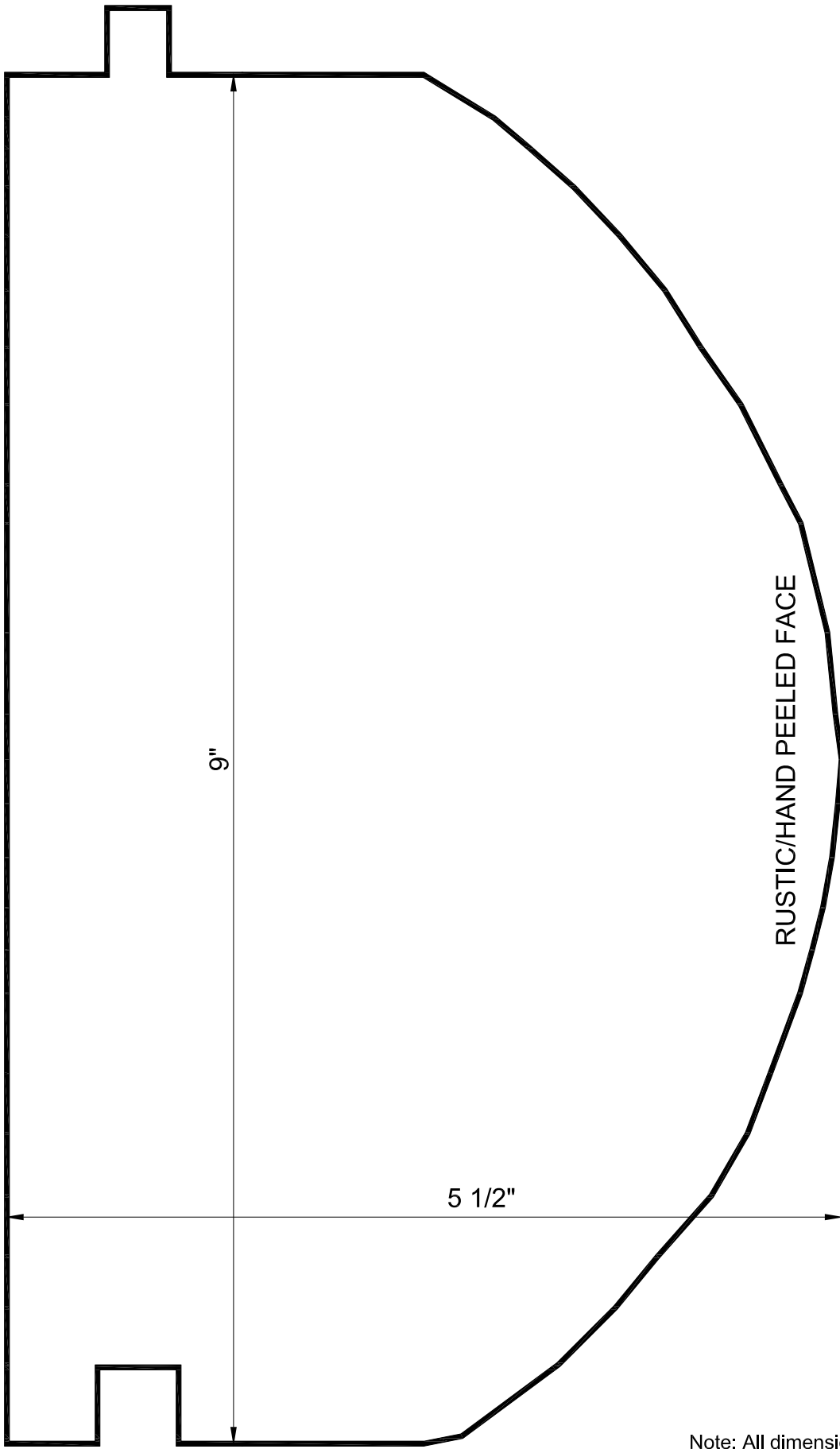
DRAWN BY:
DATE: 10/30/07
REVISED:



Rapid River Rustic, Inc.
10" R/Q LOG SIDING



SCALE: FULL
DETAIL NO:



Exterior Corner Options
(Please check appropriate box)

Vertical Log Corner (VLC)

Butt & Pass Corner

Full Round Corner

Note: All dimensions are approximate.

Copyright © 2006 Rapid River Rustic, Inc.

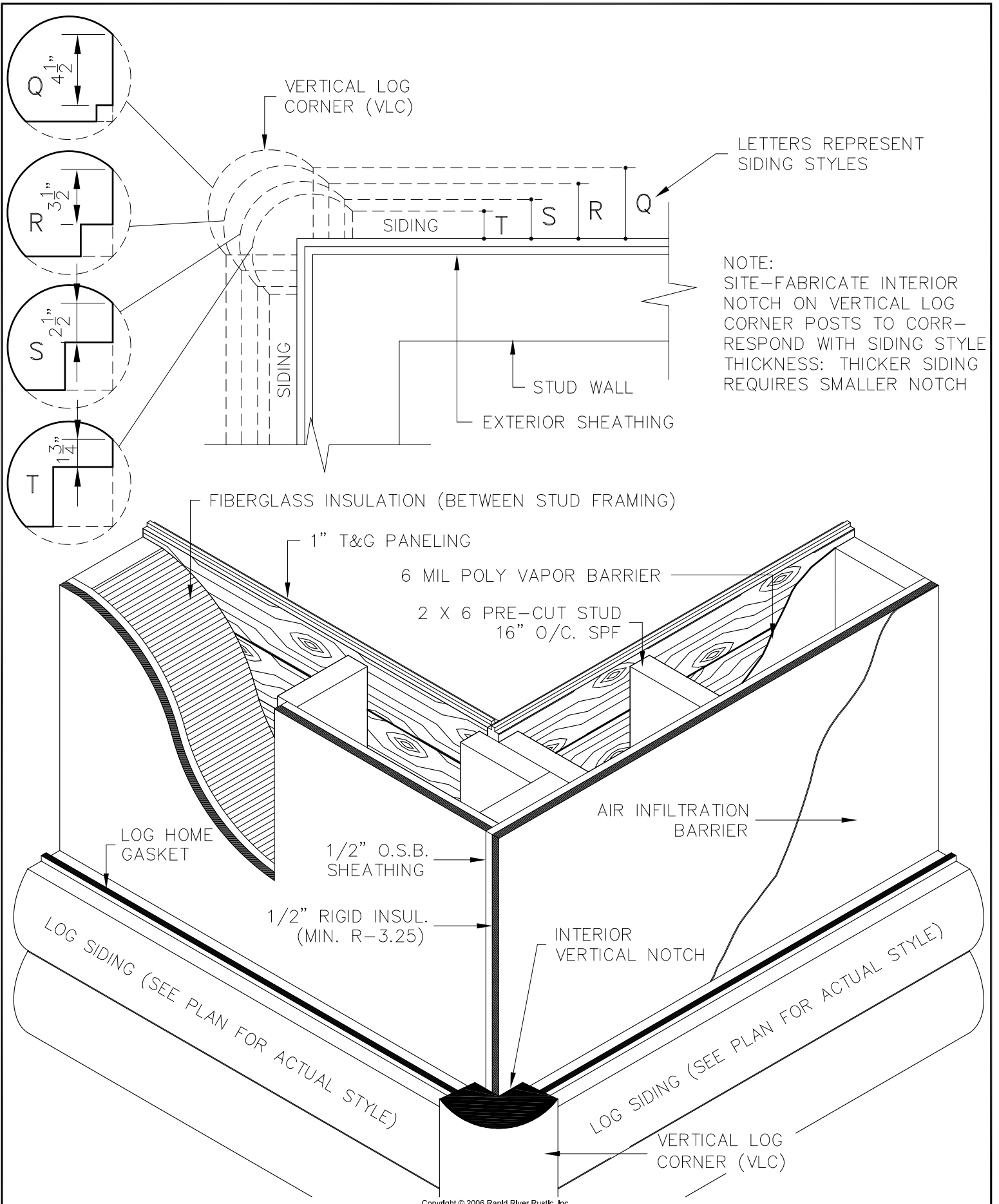
DRAWN BY:
DATE: 10/30/07
REVISED:



Rapid River Rustic, Inc.
10" R/Q(TG) LOG SIDING



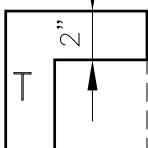
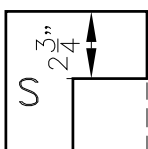
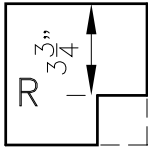
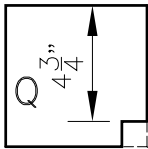
SCALE: **FULL**
DETAIL NO:



DRAWN BY:
 DATE: 10/26/07
 REVISED:


Rapid River Rustic, Inc.
VERTICAL LOG CORNER (VLC)

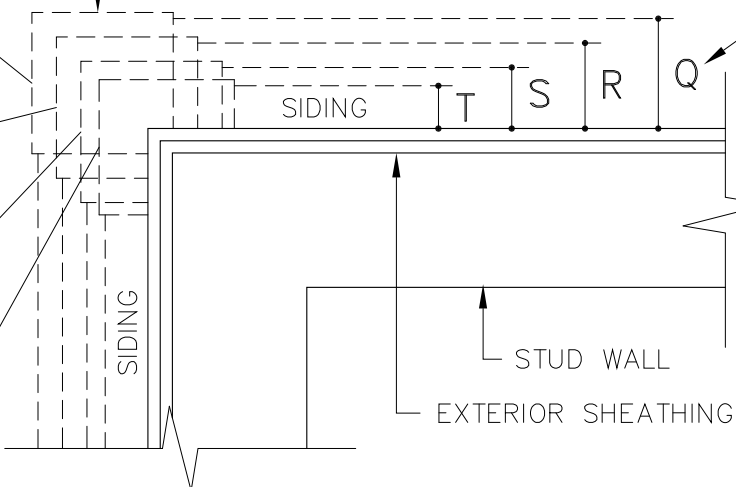

SCALE: NTS
 DETAIL NO: RR00-010



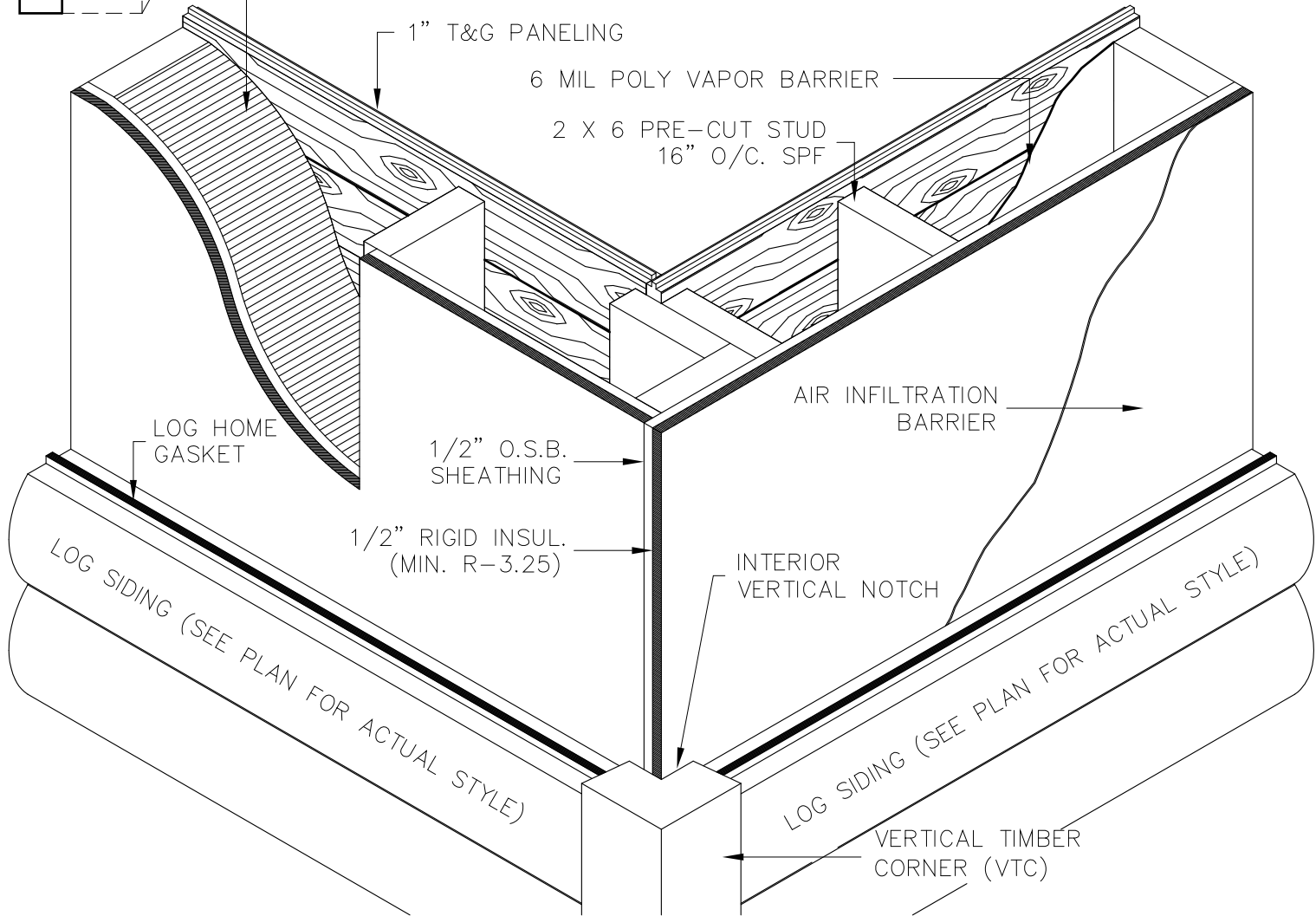
VERTICAL TIMBER POST (VTC)

LETTERS REPRESENT SIDING STYLES

NOTE:
SITE-FABRICATE INTERIOR NOTCH ON VERTICAL TIMBER CORNER POSTS TO CORRESPOND WITH SIDING STYLE THICKNESS: THICKER SIDING REQUIRES SMALLER NOTCH



FIBERGLASS INSULATION (BETWEEN STUD FRAMING)



Copyright © 2006 Rapid River Rustic, Inc.

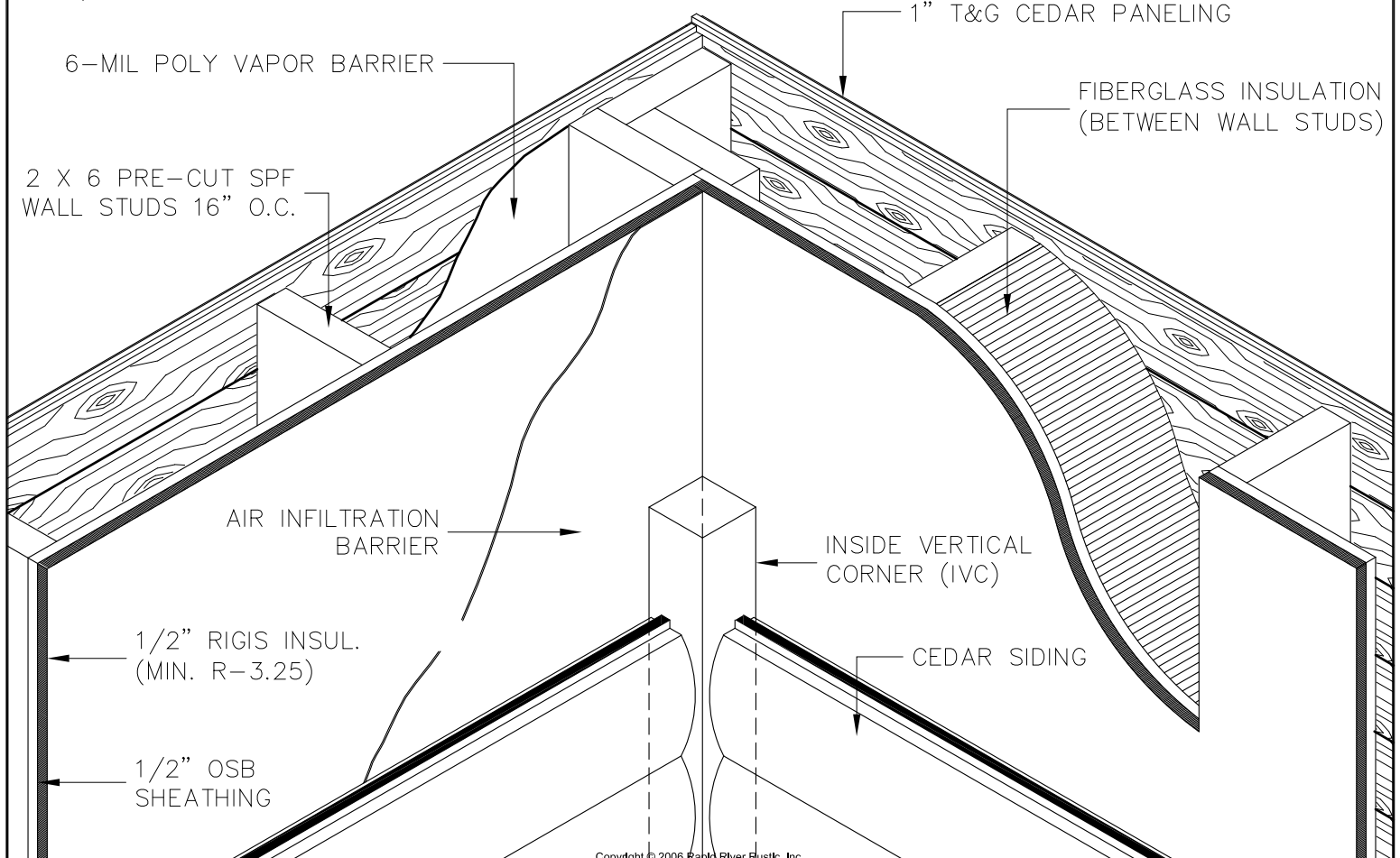
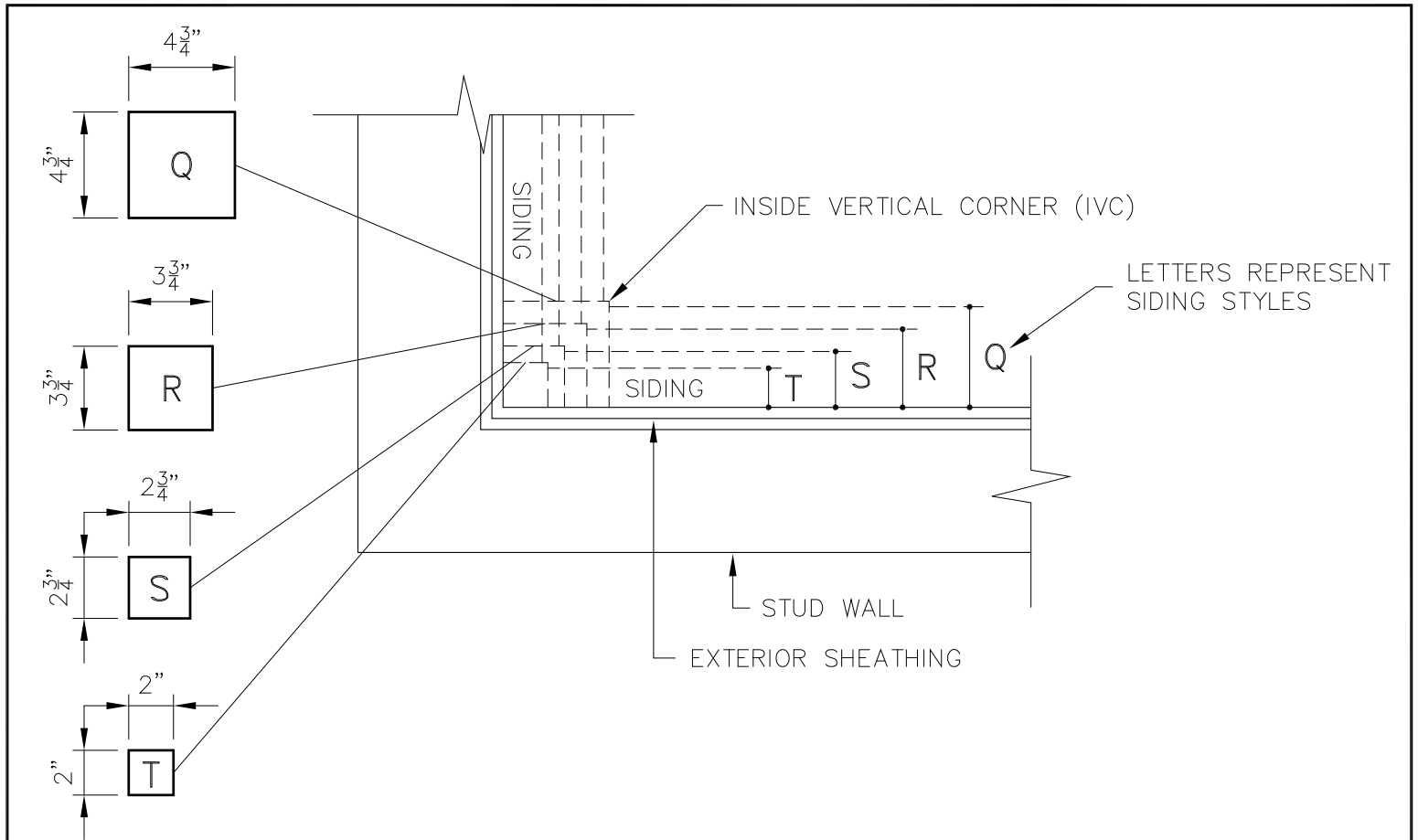
DRAWN BY:
DATE: 10/28/07
REVISED:



Rapid River Rustic, Inc.
VERTICAL LOG CORNER (VTC)



SCALE: NTS
DETAIL NO: RR00-011



Copyright © 2006 Rapid River Rustic, Inc.

DRAWN BY:
 DATE: 10/28/07
 REVISED:

Rapid River Rustic, Inc.
INSIDE VERTICAL CORNER (IVC)

SCALE: NTS
 DETAIL NO: RR00-012

